

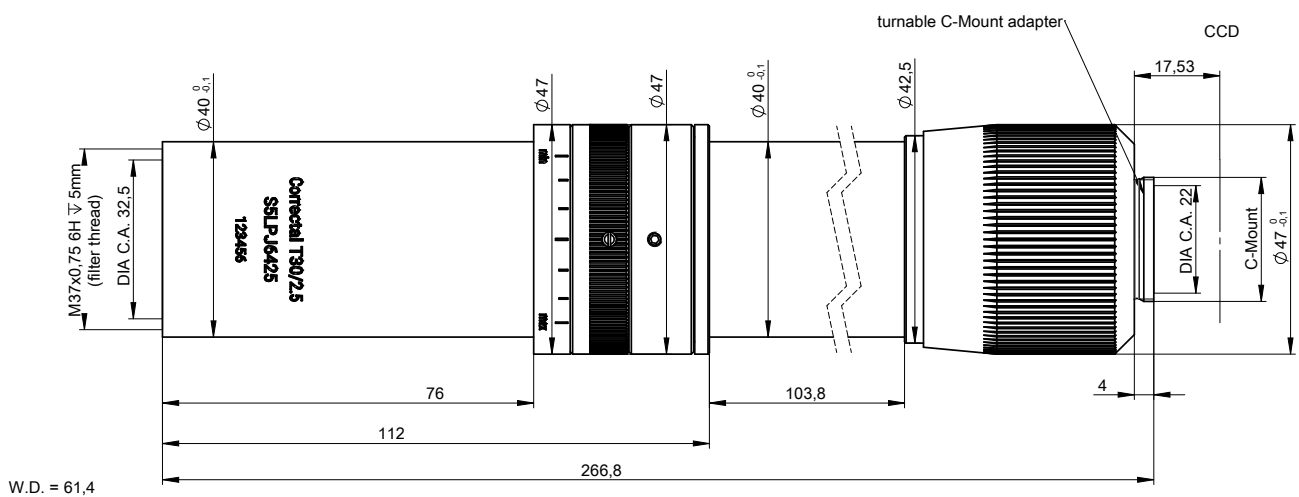
S5LPJ6425 Correctal T30/2.5 C- Mount

- standard telecentric lenses
- object-sided telecentric
- with C-mount
- variable iris (manual)



illustration only

outline drawing



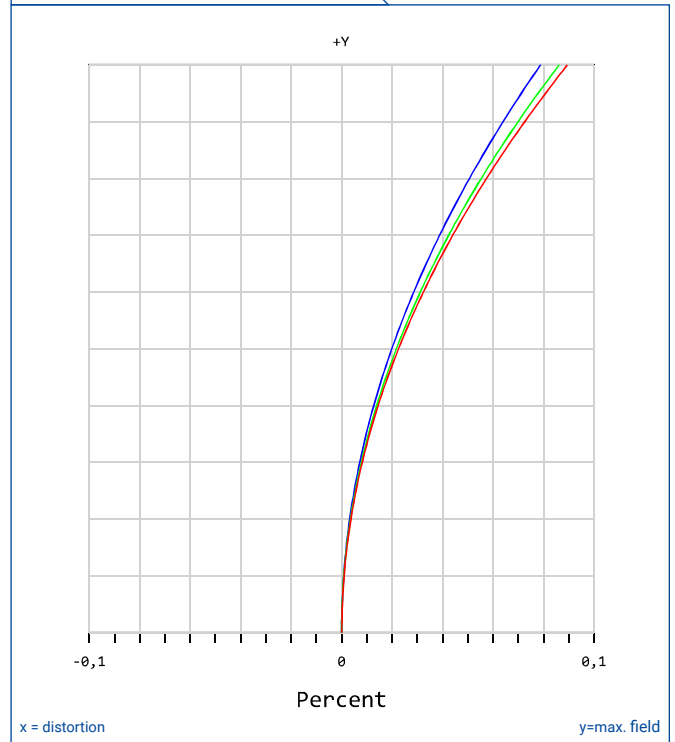
DATA SHEET



specifications

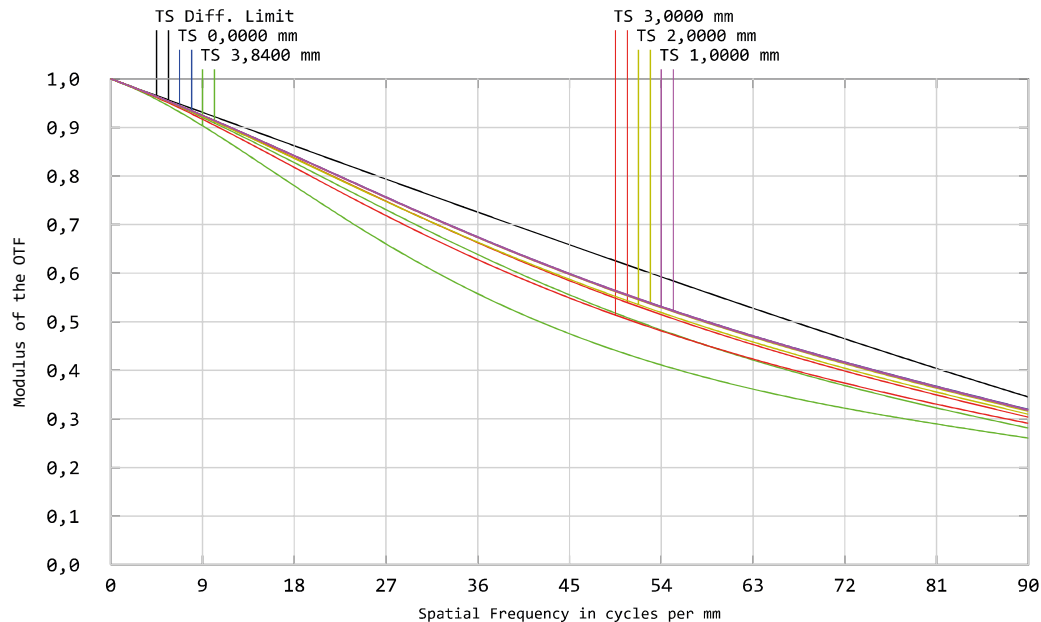
article number	S5LPJ6425
wavelength range [nm]	450-700
design wavelength [nm]	450 - 700
magnification (+/-5%)	2.500
working distance [mm] (+/-2%)	61.4
object size [mm] at a chip size of [mm]	5.1 x 3.8 12.8 x 9.6 (1")
object size [mm] at a chip size of [mm]	5.6 x 4.2 14.1 x 10.6 (1.1")
object size [mm] at a chip size of [mm]	6.2 x 4.6 15.4 x 11.5 (1.2")
max. telecentricity error [°]	0.03
recommended numerical aperture	0.120
max. distortion [%]	0.09
weight [kg]	not yet weighed
flange back distance [mm]	17.53
accessory	--

Distortion for 450 - 700 nm



remarks

MTF for various object heights at 450 - 700 nm



T. tangential

S. sagittal

graphs and data given by design