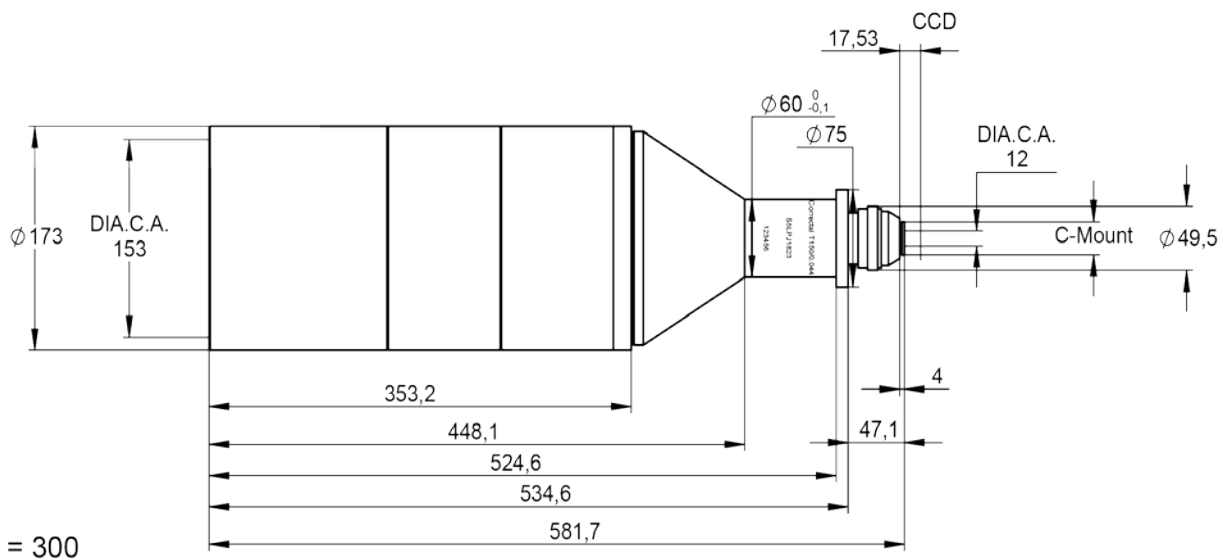


S5LPJ1823 Correctal® T150/0.044

- telecentric lens
- with c-mount
- with variable iris



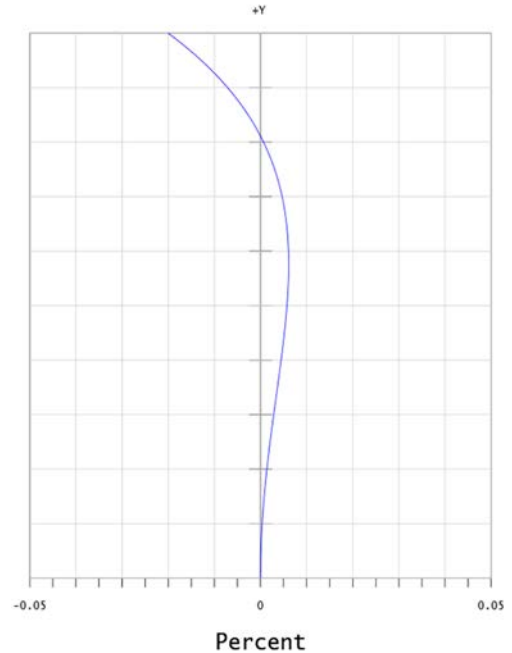
DATA SHEET



specifications

article number	S5LPJ1823
design wavelength [nm]	450-700
magnification (+/-5%)	0.044
working distance [mm] (+/-2%)	300.0
object size [mm]	109 x 81.8
at a chip size of [mm]	4.8 x 3.6 (1/3")
distortion [%]	0.03
object size [mm]	---
at a chip size of [mm]	6.4 x 4.8 (1/2")
distortion [%]	---
object size [mm]	---
at a chip size of [mm]	8.8 x 6.6 (2/3")
distortion [%]	---
max. telecentricity error [°]	< 0.01
numerical aperture	0.006
weight [kg]	8.00
flange back distance [mm]	17.53
accessory	S5SET0020, S5SET1830

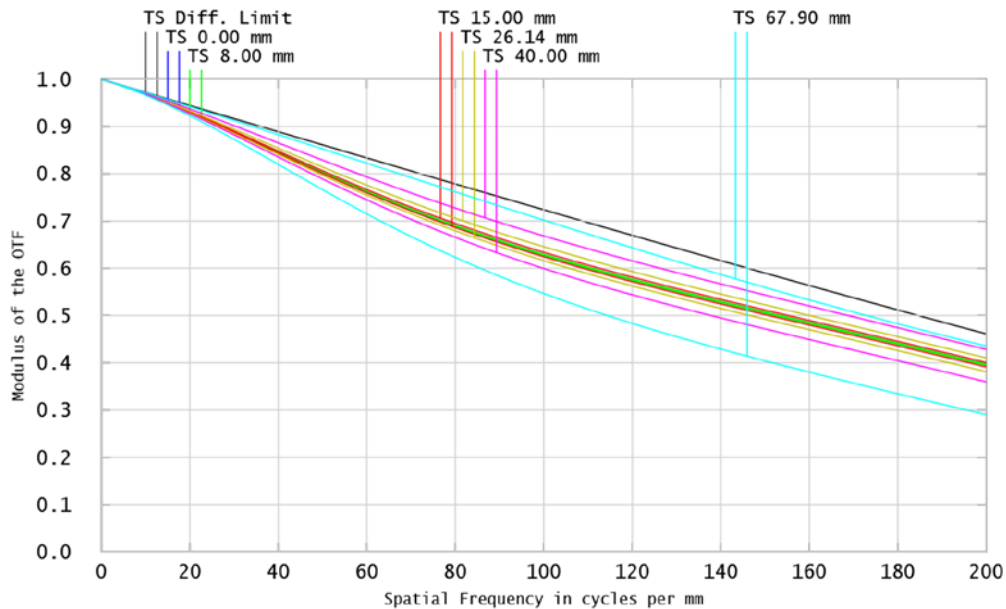
Distortion for 586 nm



x = distortion

y = max. field

MTF for various object heights at 586 nm



T. tangential

S. sagittal

replacement for S5LPJ1821
graphs and data given by design.